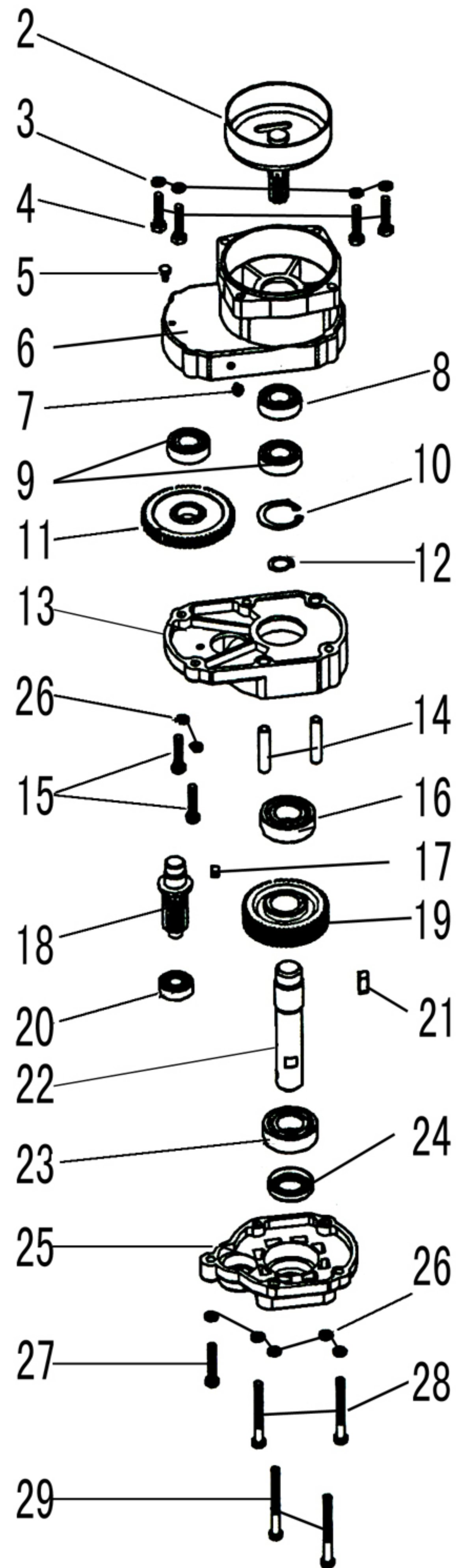
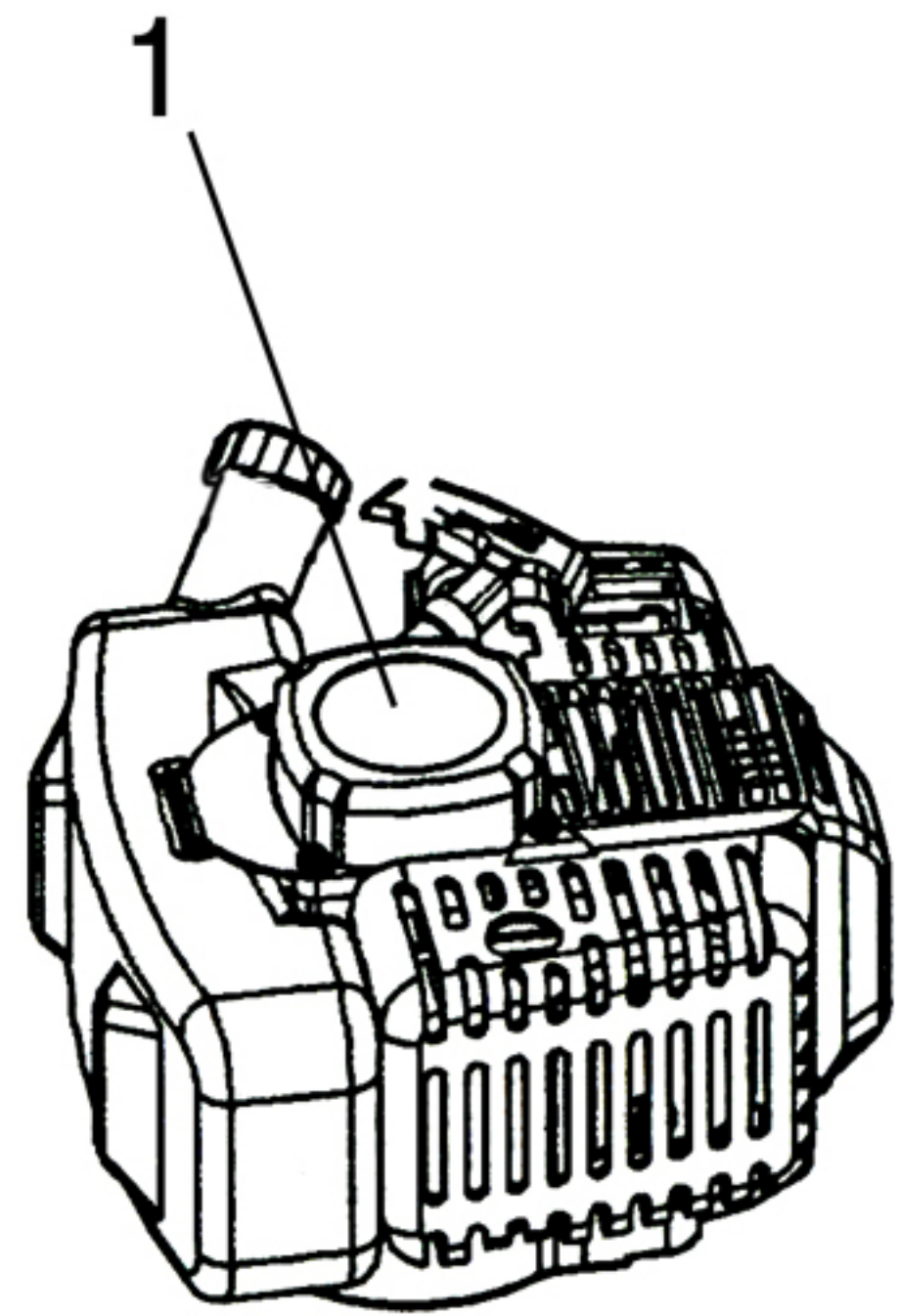
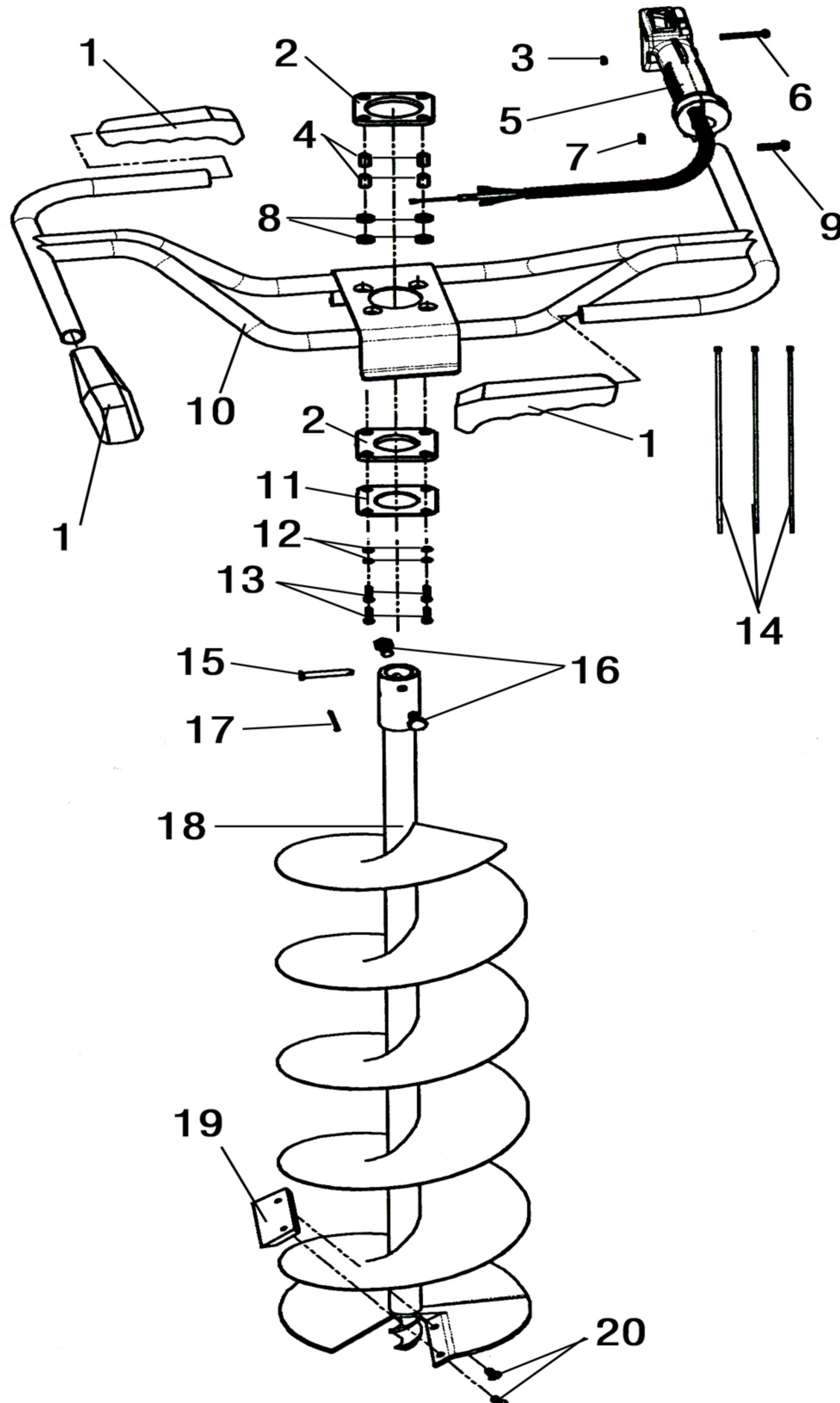


A1



KEY.	DESCRIPTION	QTY.	KEY	DESCRIPTION	QTY.
A01	ZM1E44F-2A ENGINE	1	A16	BALL BEARING 6004	1
A02	PRIMARY DRIVING GEAR SHAFT	1	A17	KEY 5*8	1
A03	SPRING LOCK WASHER 6	4	A18	SECONDARY DRIVING GEAR	1
A04	HEXAOGN BOLT M6*25	4	A19	SECONDARY DRIVEN GEAR	1
A05	GREASE FITTIGN M6	1	A20	BALL BEARING 6000	1
A06	UPPER HALF GEAR BOX	1	A21	KEY 6*17	1
A07	OIL FILTER 462	1	A22	OUTPUT SHAFT	1
A08	BALL BEARING 6002Z	1	A23	BALL BEARING 6004Z	1
A09	BALL BEARING 6002	2	A24	OIL SEAL FW $\Phi 35 * \Phi 20 * 7$	1
A10	CIRCLIP FOR HOLE 32	1	A25	GEAR BOX COVER	1
A11	PRIMARY DRIVEN GEAR	1	A26	SPRING LOCK WASHER 6	1
A12	CIRCLIP FOR SHAFT 15	1	A27	SOCKET CAP SCREW M6*30	1
A13	BOTTOM HALF GEAR BOX	1	A28	SOCKET CAP SCREW M6*50	2
A14	PIN	2	A29	SOCKET CAP SCREW M6*55	2
A15	SOCKET CAP SCREW M6*25	2			

B2



KEY.	DESCRIPTION	QTY.
B01	HANDEL	3
B02	DAMPING RUBBER	2
B03	HEXAGON NUT M5	1
B04	GUIDE BUSHING	4
B05	POWER CONTROL HANDLE	1
B06	SCREW M5*33	1
B07	HEXAGON NUT M6	1
B08	GUID BUSHING	4
B09	SCREW M6*20	1
B10	BRACKET	1
B11	KEEP PLATE	1
B12	SPRING LOCK WASHER	4
B13	SOCKTE CAP SCREW M6*30	4
B14	NYLON BELT 4*200	3
B15	PIN B6*40	1
B16	HEXGON BOLT M8*16	2
B17	COTTER PIN 3.2*20	1
B18	DRILL PIPE	1
B19	DRILL BLADE	1
B20	SUNK SCREW M6*10	2

KEY.	DESCRIPTION	QTY.
C01	FUEL MIX KETTLE	1
C02	S8/S10 OPEN END WRENCH	1
C03	BOX WRENCH	1
C04	SCREW DRIVER	1
C05	S5 SOCKET SCREW WRENCH	1
C06	USER ' S MANUAL	1

